

Free upgrade to triple glaze

WINDOWS
UPVC

di[me]nsion+

- [] sensational thermal insulation U_w up to 0.78 W/m²K (with corresponding glazing)
- [] sound insulation up to 46 dB
- [] fully covered fittings



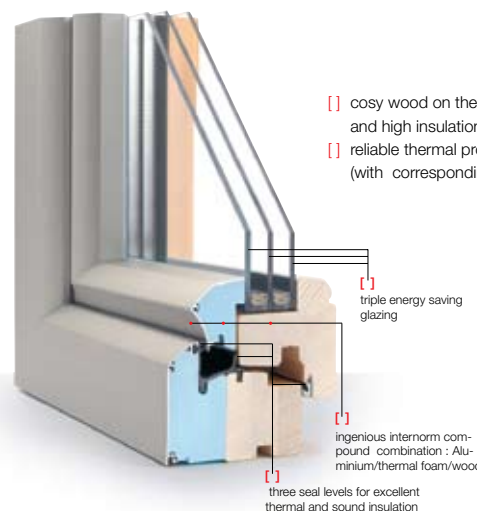
[] suitable for
low-energy and
energy-saving houses



WINDOWS
WOOD/ALU

ed[it]ion

- [] cosy wood on the inside, weather resistant on the outside and high insulation thermal foam in between.
- [] reliable thermal protection U_w up to 0.68 W/m²K (with corresponding glazing)



For a limited period only
1st February to 31st March 2010*

- [] With internorm triple glazing you are guaranteed energy saving
- [] Available in wide range of designs and colours

*Offer is subject to purchase on Passion, Dimension + and Edition only
*Offer is only available through [Frames Direct](#)

[Frames Direct](#) are an Approved internorm 'A' Partner, being the first UK Glazing company to recognize the quality and performance of Internorm products. Specializing in Low Carbon new build and refurbishment, with ever increasing fuel costs, we understand our customers requirements for thermally efficient windows and doors. With Internorm only dedicated technical, installation and surveying departments, you can be sure of receiving a complete service from design concept through to after sales.



Visit the showroom at:
[Internorm@Frames Direct](mailto:Internorm@FramesDirect)
1 Station Approach
South Ruislip
Middlesex
HA4 6RU
Tel: 020 3355 5070
Fax: 020 3355 5071
Website: www.framesdirect-internorm.co.uk
Email: info@framesdirectltd.co.uk

frames
direct

Internorm
Windows - light and living

